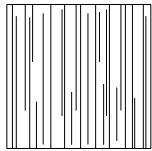


## INSTRUCTIONS

The loop bench is made up of reused carpet tiles that mimic an individual loop of yarn in carpet. This play on scale allows the carpet tile to serve a new purpose. Having multiple loops the bench cushion gains strength from the adjacent loops allowing it to support weight and maintain resilience for maximum comfort. Combined with a base made from re-claimed or certified lumber provides for a sustainable solution.

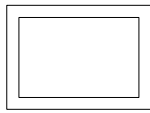
## COMPONENTS

18"x18" RUBBER BACKED CARPET TILES



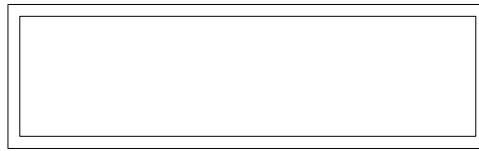
x 20

SIDE SUPPORT



x 2

BASE SUPPORT



x 1

END SLATS

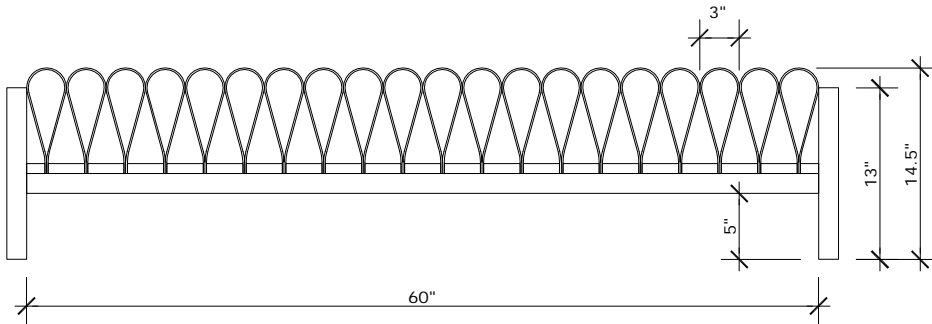


x 2

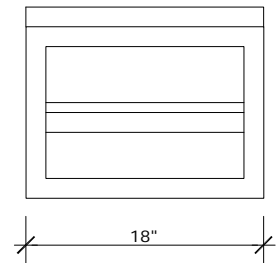
CENTER SLATS



x 19

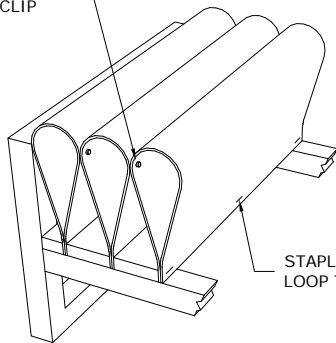


FRONT/BACK ELEVATION



SIDE ELEVATION

FASTEN LOOPS TOGETHER WITH BOLT OR CLIP



STAPLE CARPET LOOP TO SLAT

