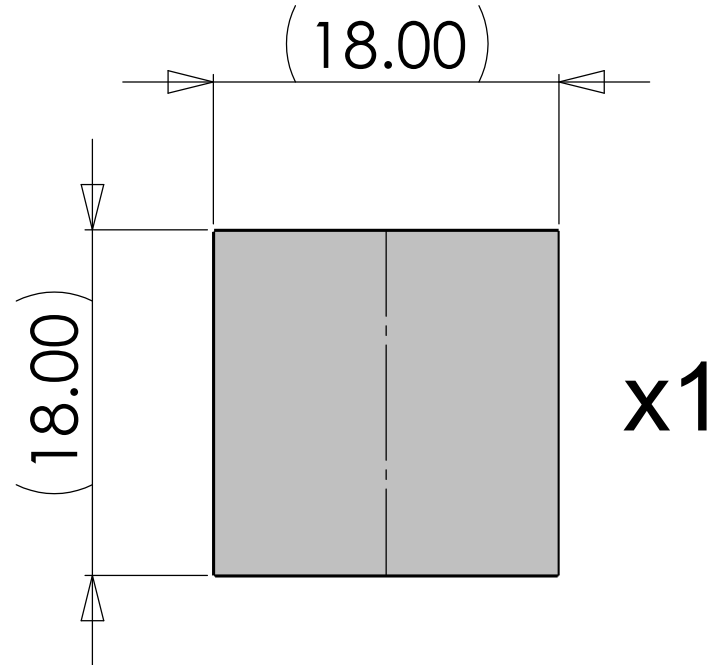
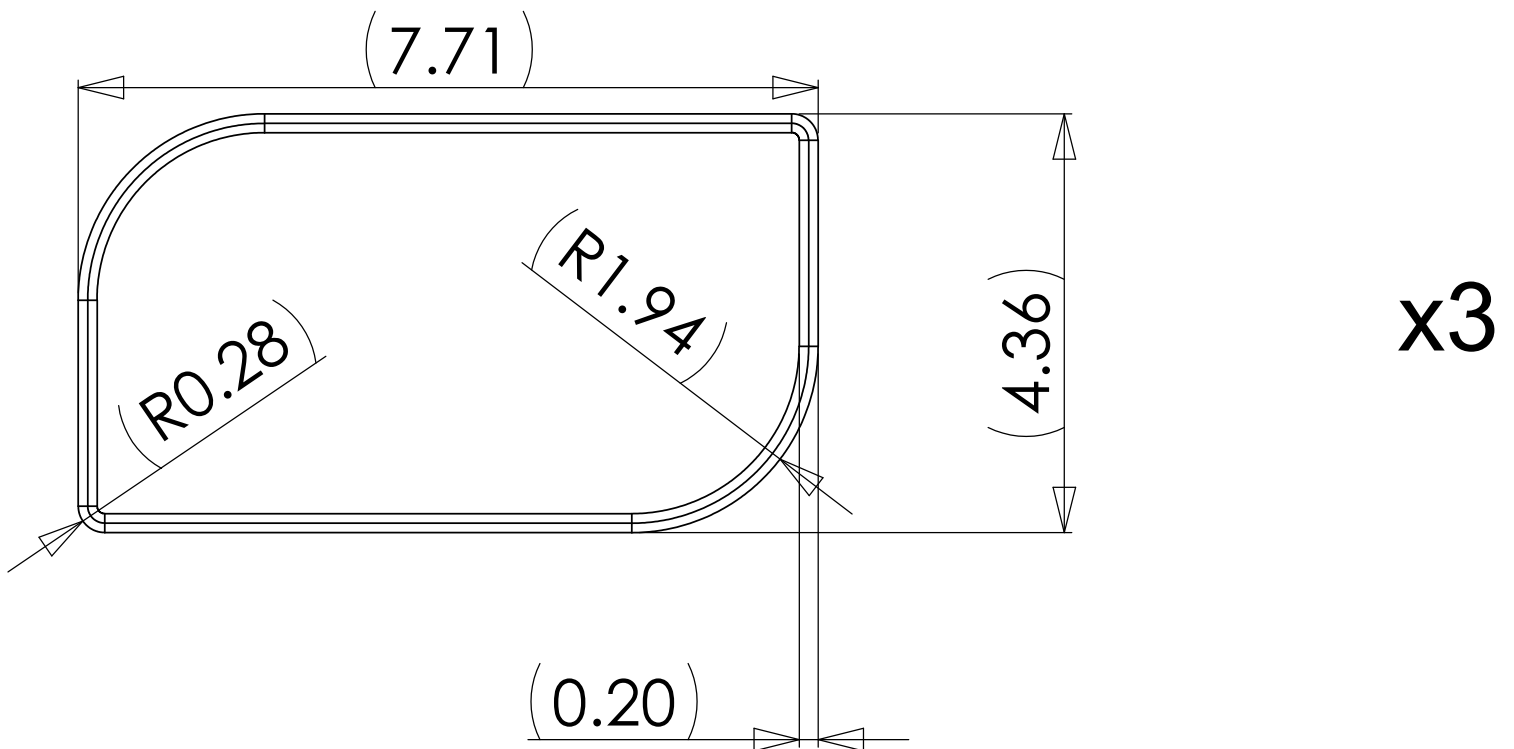


Wine-rug

To create your own "wine-rug"
you use one 18"x18" sample
cut in half.



And 3 metal rods bent into shape.



When folded in to the rings
the carpet samples create a space
suitable for holding 2 bottles of wine.

